

MEASUREMENT AND CONTROL

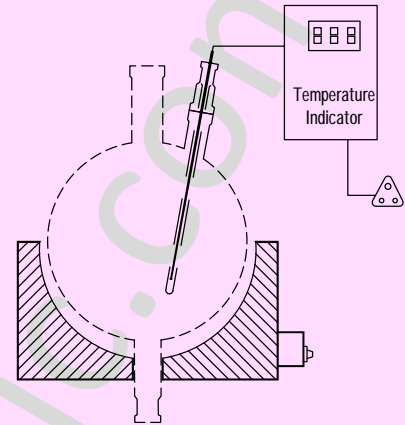
DIGITAL TEMPERATURE INDICATOR

These are generally used as headers of shell and tube heat exchangers and columns.

This instrument is mainly used to monitor the temperature of liquid in a glass vessel in a typical Glass Distillation Unit.

The instrument consists of a Temperature indicator and a Resistance Temperature Detectors (RTD). The instrument works on 230V, 50Hz power supply. This displays the temperature in degree Centigrades in three and half digits of 12.5mm character height.

Cat.Ref.	Vessel size	RTD Length
DTI20	20	400
DTI50	50	500
DTI100	100	600
DTI200	200	700

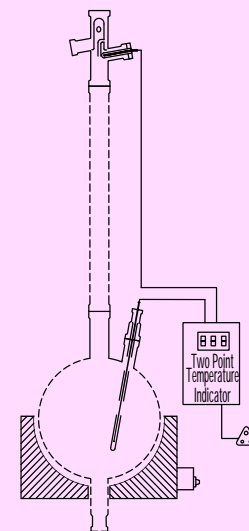


TWO POINT DIGITAL TEMPERATURE INDICATOR

This instrument is mainly used to monitor the temperature of liquid in a glass vessel and temperature of vapours at reflux divider in a typical Glass Distillation Unit.

The instrument consists of a Temperature indicator and two Resistance Temperature Detectors (RTDs). The instrument works on 230V, 50Hz power supply. This displays the the temperature in degree centigrades in three and half digits of 12.5mm character height. A switch is provided to see the two temperatures alternatively.

Cat.Ref. Length	Vessel size	RTD Length for vessel	RTD for reflux divider
DTT20	20	400	200
DTT50	50	500	225
DTT100	100	600	250
DTT200	200	700	300



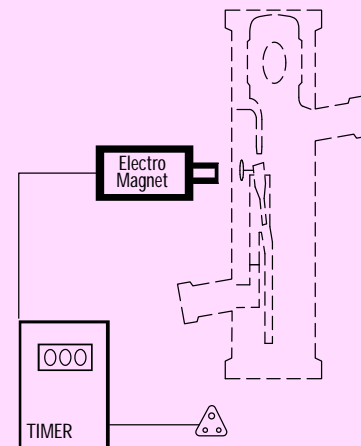
ELECTRO-MAGNETS

Electro - magnets are used to operate Magnetically operated Reflux dividers. When 'On' the magnet attracts the swinging funnel of the reflux divider so that distillate can be taken off.

Electro-magnets are to be mounted outside the glass column, just near to the reflux divider, with the help of adjustable fittings. These are designed to use with Timers to maintain correct ratio between 'Off' and 'On' timings of its activation.

Electro-magnets work on 220V DC power supply, for which a output socket is provided in the Timers.

Cat. Ref.	Type
RPM*	Non-flameproof
RPF	Flameproof



TIMERS

Timers are designed to use with Electro- magnets to provide a correct ratio of reflux and distillate when operating a Magnetically operated reflux divider.

Timers work on a power supply of 230V, 50Hz.

Cat. Ref.	Type
RPM*	Non-flameproof
RPF	Flameproof